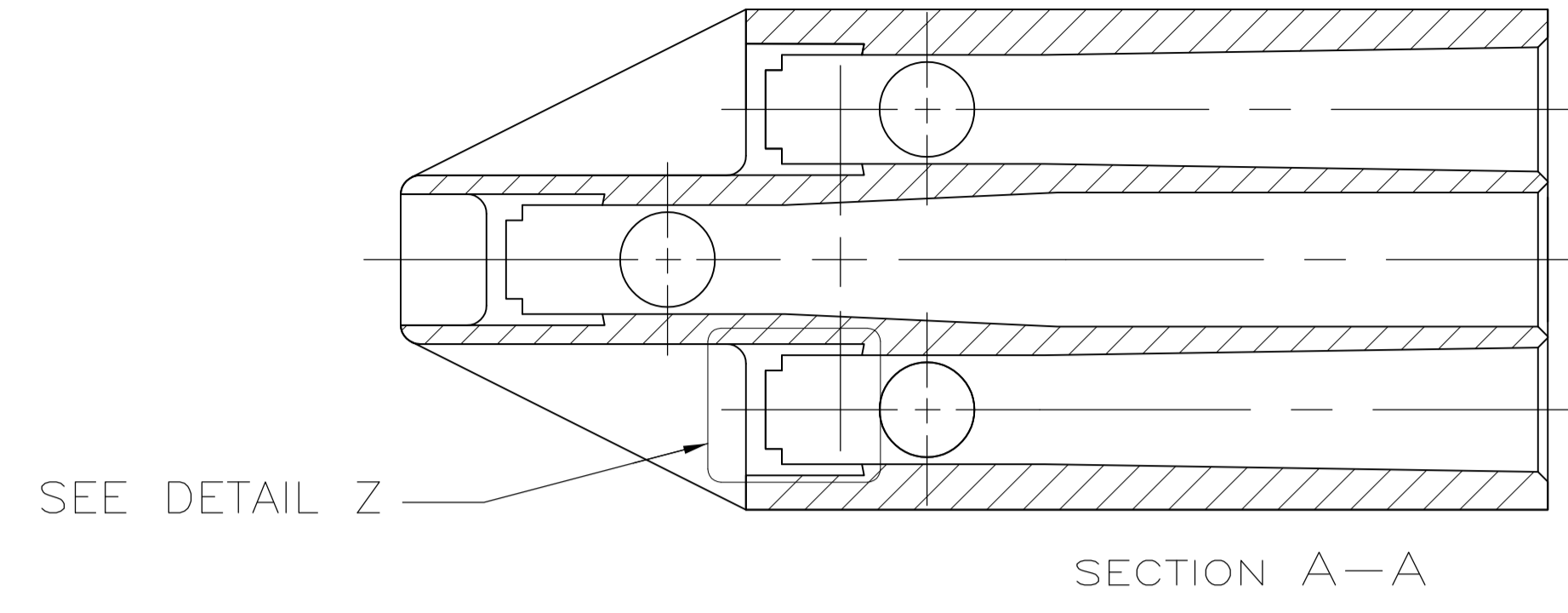
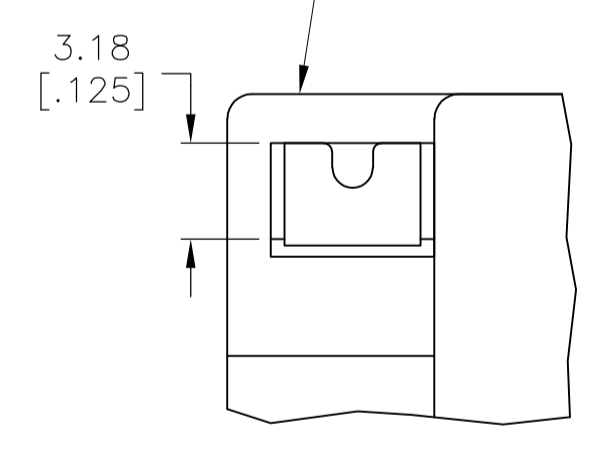
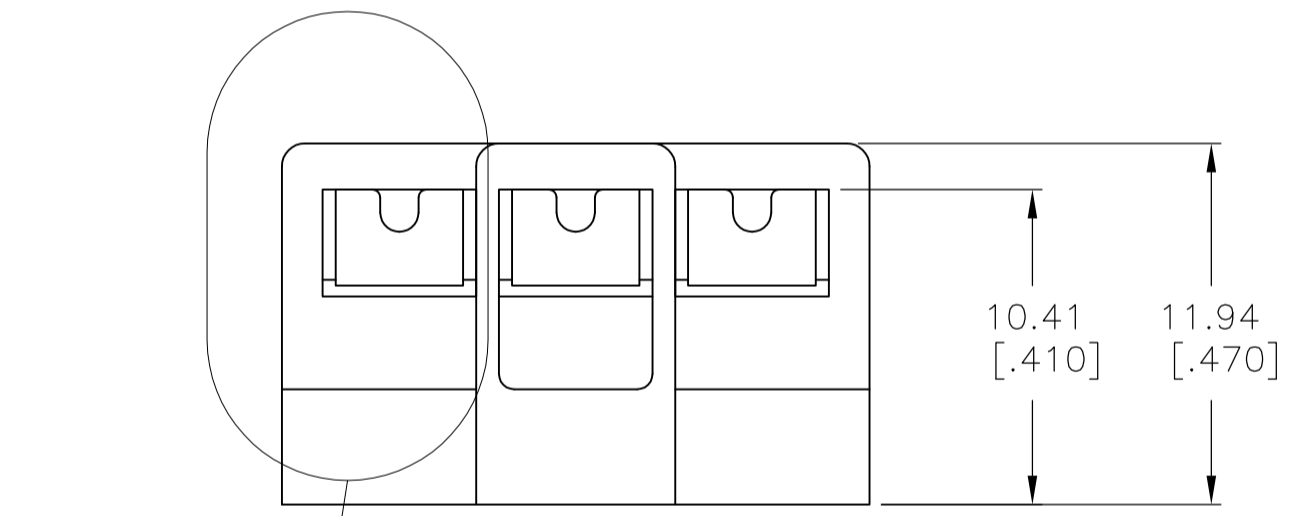
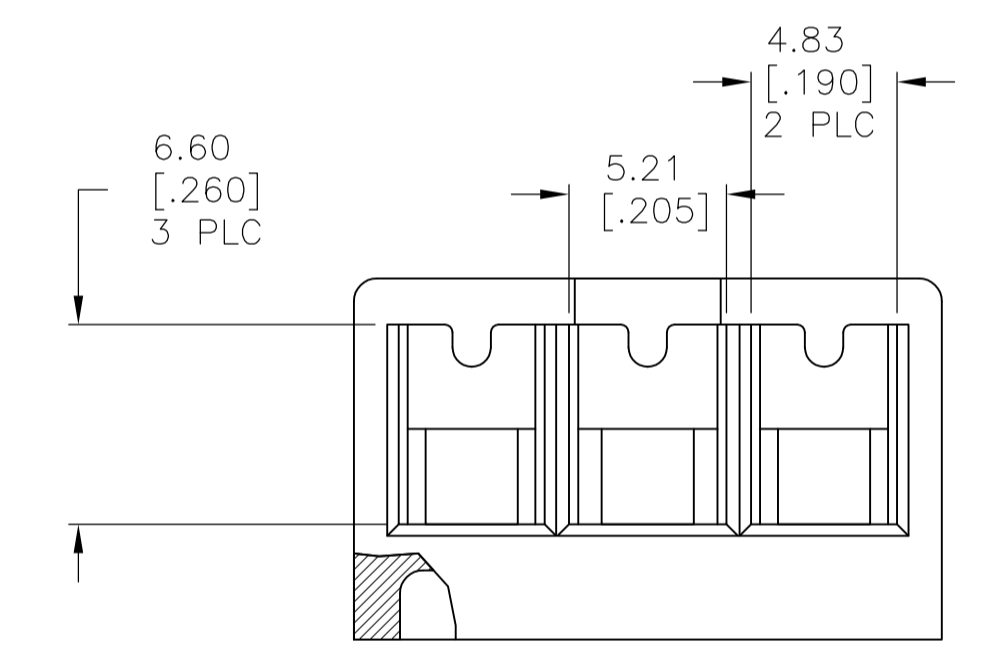
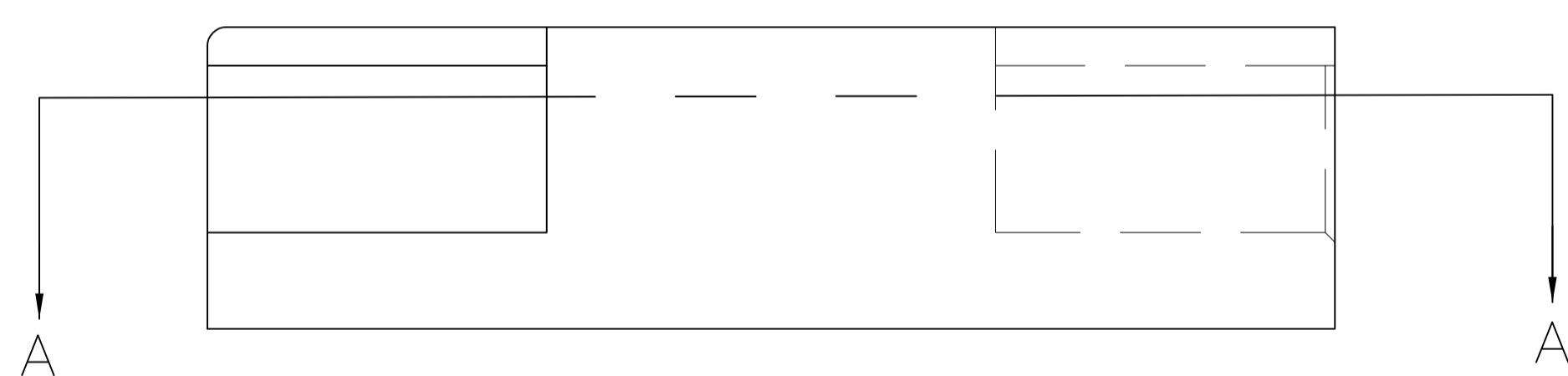
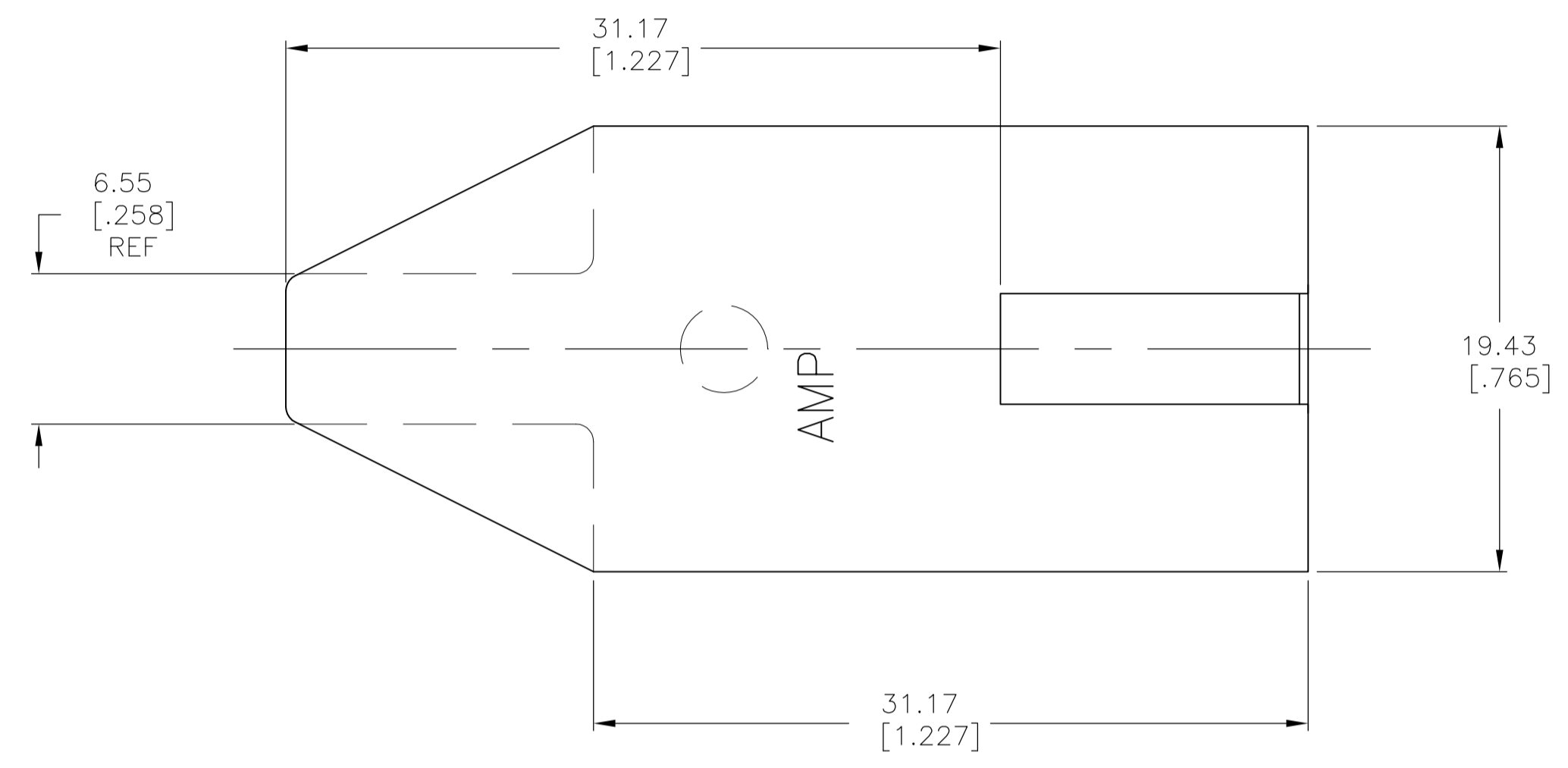


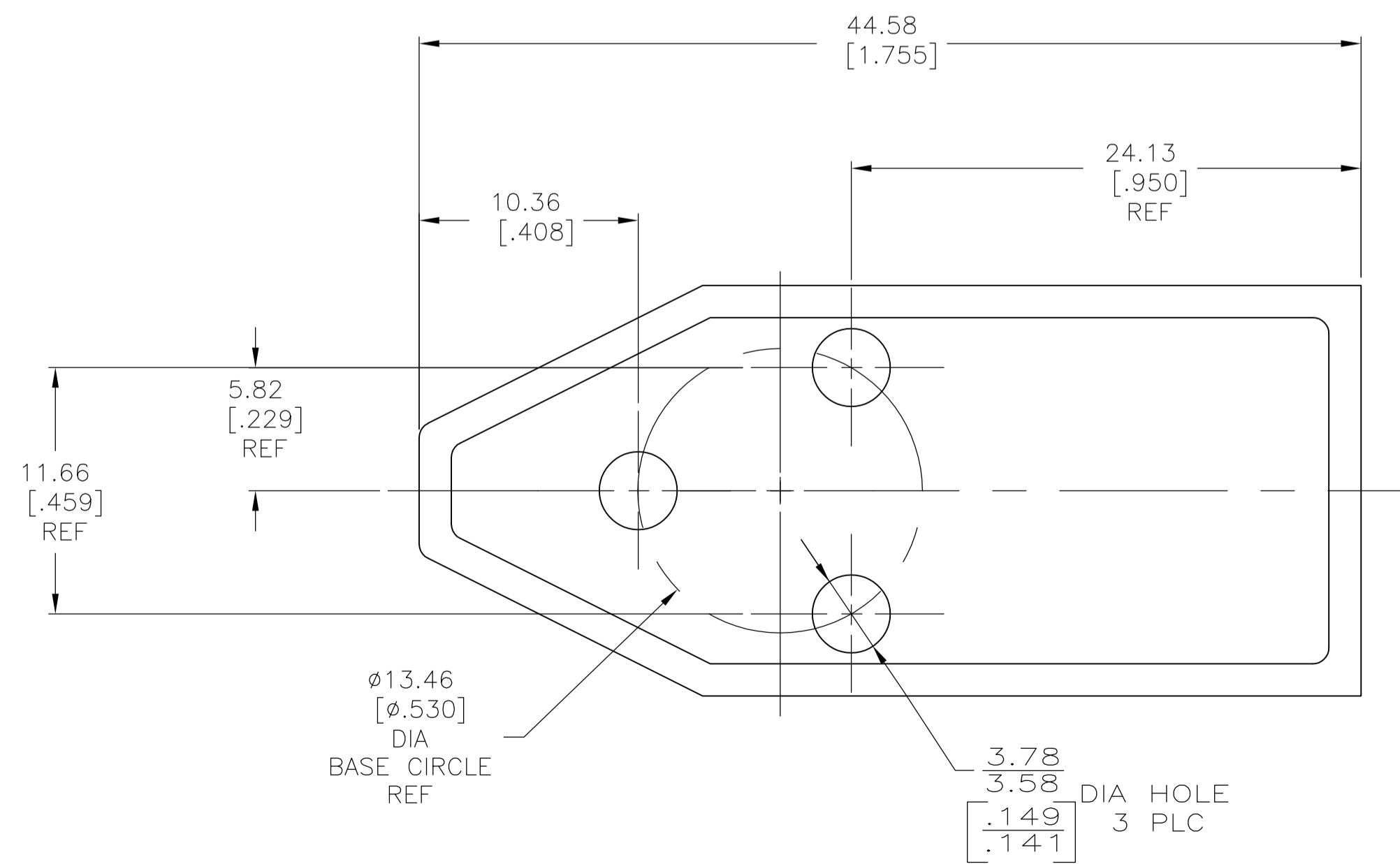
DETAIL Z  
SCALE 8:1  
TYP



1 HOUSING ACCEPTS 3.18 [.125] DIA CLUSTER PIN RECEPTACLES  
AMP PART NOS



SCALE - 10:1



FOREIGN PRODUCTION ONLY	VALOX 325	360052-3
OBSELETE FOREIGN PRODUCTION ONLY	CRASTIN S-600	360052-2
	PBT UNFILLED	360052-1
	MATERIAL	PART NO

THIS DRAWING IS A CONTROLLED DOCUMENT.		DIN PHILLIP M. FORTNEY 22/MAY/96	Tyco Electronics Corporation Harrisburg, PA 17105-3608	
DIMENSIONS: mm [INCHES]		CHK JEFF R. RUTH 22/MAY/96	NAME DON DECKER 22/MAY/96	
TOLERANCES UNLESS OTHERWISE SPECIFIED:		PRODUCT SPEC 108-2008		
0 PLC ± -		APPLICATION SPEC 114-2019		
1 PLC ± -		SIZE A1	CAGE CODE 00779	DRAWING NO 360052
2 PLC ± 0.25 [0.010]		RESTRICTED TO		
3 PLC ± -		CUSTOMER DRAWING		
4 PLC ± -		SCALE 4:1 SHEET 1 OF 1 REV T		
ANGLES ± -				
FINISH -				